



Operation Manual



Chemical mixer for liquid- and powderchemistry

MIX 20 and MIX 40

Foreseen use of the mixer:

Chemical mixer for liquid- and
powderchemistry

Installation:

To be performed by authorized
Service personnel only.

Service and Repair:

To be performed by trained
Service personnel.

1.0 Explanations

- Warning



is used at risk for injury.

1.1 General

- Observe all warnings and cautions, stated or implied
in the instructions.

1.2 Chemicals

- Follow the label instructions of chemical containers.
- Wear safety glasses during maintenance and cleaning.
- In case of eye contact, flush with plenty of water for 15 min.
Immediately contact a physician.

1.3 Electrical

- Before opening the equipment, disconnect power.
- Do not by-pass build in safety devices.
- Do not operate the equipment without covers.

1.4 Mechanical

- Do not operate the equipment with covers or access panels removed.
- Keep fingers, hands and tools clear of moving parts.
- Stow cables and tubing properly to eliminate tripping hazards.
- Use original spare parts only.

1.5 Environmental

- Follow local environmental regulations.

Installation:

1. Installation should be made close to the processor.
2. Unpack the mixer. Put on the tanks. (developer on the left, fixer on the right side.)
3. Connect the replenisher pump suction tubes of the processor with the suction pipe of the corresponding tank side.
4. Plug in the power cable into the wall socket.

Working with the Mixer

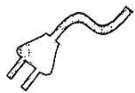
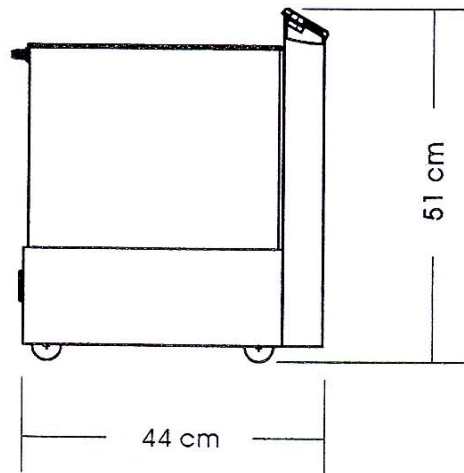
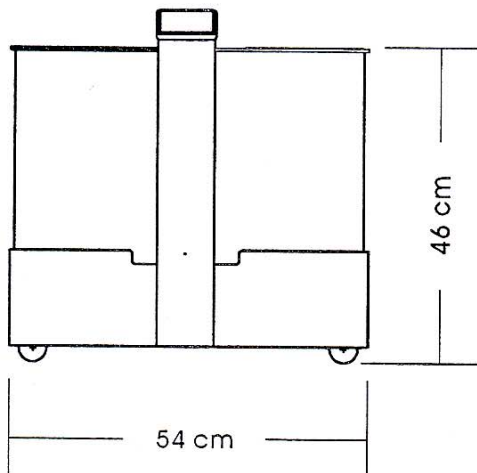
1. Open the corresponding flap of the mixer. (There should be only one flap open, in order to avoid the possibility of chemical mixing)
2. Fill in water according to chemical manufacturer's instructions (Pay attention to the level)
3. Switch on main switch on the back side of the mixer.
4. Switch on the stirrer of the corresponding tank side on the operation panel.
5. Fill in the chemicals according to manufacturer's instructions.
(adhere to waiting times, if any)
6. Stirrer runs for approx. 15 minutes.
7. Stirrer switches off automatically.
8. After work switch off main switch.
9. Control level in regular intervals. A signal will sound if the tank is empty.

Cleaning

1. Depending on degree of soiling remove the tanks.
2. Remove stirring paddles and clean them with water.
3. Rinse the tanks and wipe out with a smooth sponge. (watch out for float switch!)
4. Carefully put the tanks back on the base.
5. Reinsert stirring paddles.

NOTE: Do not let agitator run when dry!

Technical data



220-240 V, 50 Hz, 500 mA

Fuse 6,3X32, T 630 mA

